

INTECONT® Satus, Indicator for Beltscales



Clear text operator guidance on back lighting LCD display

Stainless steel – at a high protection class

Table-top or wall mounting

Fieldbus-compatible

Ethernet interface, can also be used for configuration

All components can be exchanged without reverification

Application

The indicator INTECONT® Satus is designed for applications using stand-alone belt weigher MULTIBELT® with on-site electronics.

By focusing primarily on the necessities the INTECONT® Satus represents a very attractive, simple and modern device on the market.

Equipment and functionality

The indicator for beltscales INTECONT® Satus VKG 20790 has a standard stainless steel console shaped case in protection class IP65 that is suited for table-top and wall mounting.

The indicator has an easily readable back lighting LCD display for showing measured values with clear text operator guidance. Data is keyed in via flexible membrane keyboard with 6 keys.

All INTECONT® Satus parameters can be configured very easy by using the PC program EasyServe.

The parameters are stored using the load cell dongle technology and therefore are available even after replacement of the main board.

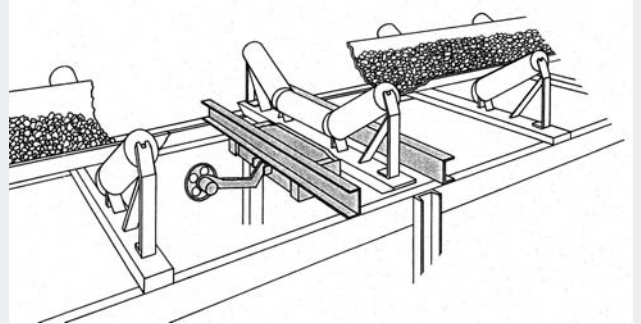
Since Ethernet is increasingly becoming the communication standard even in industry, INTECONT® Satus has a standard 10/100Mbaud network connection.

Also the well-established Modbus.

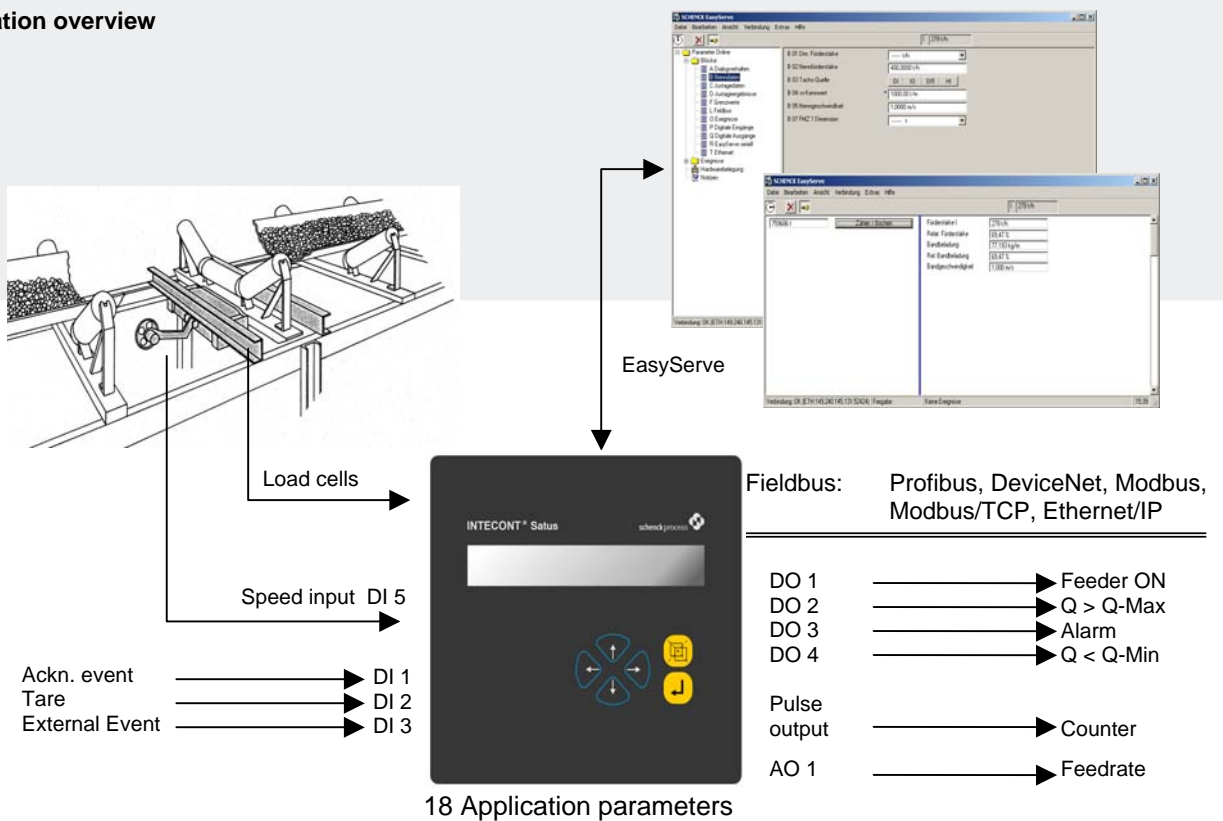
Optional fieldbus boards for Profibus DP-V0, DeviceNet and Ethernet/IP are available.

Belt weigher application

- On site assembly possible
- simple and easy commissioning
- automatic measuring of bulk solids flow
- Totalizing counter
- Belt load monitoring
- Zero-drop-out (no totalizing if belt load is too low, empty belt)



Application overview

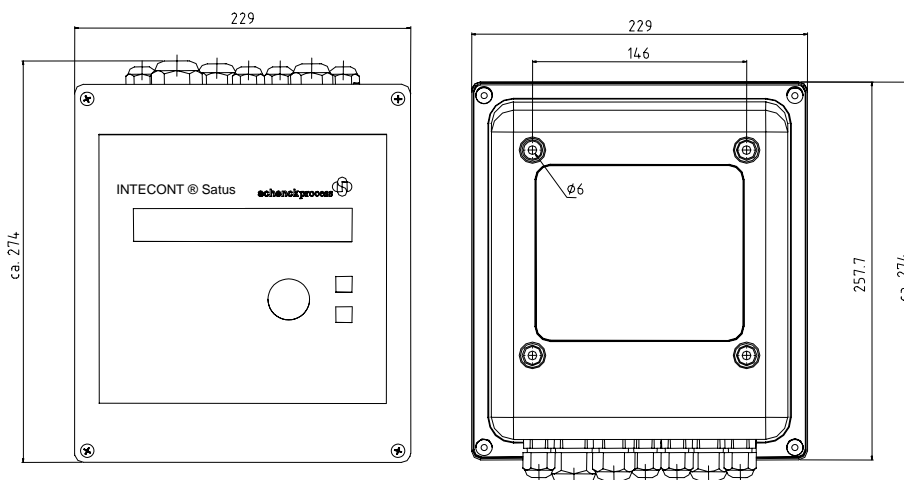


INTECONT® Satus

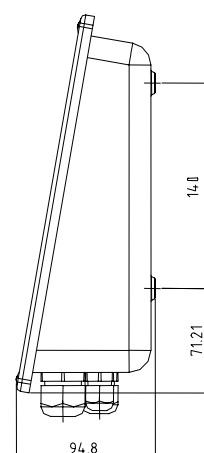
- Stainless steel housing with a high protection class
- All connections are tied up to special functions
- All components can be exchanged without reverification
- Functionality self explaining: simple and easy commissioning
- Minimized complexity: only necessary parameters have to be adapted
- 6 keys sufficient for data input and control
- Preloaded menu languages: German, English, French, Spanish, Italian
- PC-based service program EasyServe; to be connected serial or via Ethernet
- Serial connections on board: Modbus; Ethernet with Modbus/TCP protocol
- Optional fieldbus boards: Profibus DP-V0; DeviceNet; Ethernet with protocol Ethernet/IP (for AllenBradley – Master)



Table-top



Wall mounting



Technical data

View Keyboard	LCD back lighting. 1 cell 20 characters. Characters 12,4mm high 6 keys	
Supply voltage Housing Temperature range	85-240 VAC, 50-60Hz, max. 10 VA Stainless steel 1.4301, deep drawn, IP 65 Service temperature: -30...+60 °C	
Measuring circuit	Supply voltage: Range: Load cell impedance: Cable length:	5V alternating current supply -20mV...+20mV; Rmin 80Ω max. 500m
Units Taring Belt monitoring	kg, t, lb; kg/h, t/h, lb/h; to be started via digital input or keyboard zero-drop-out; Belt load >max / < min	
Binary inputs	3 x Optocoupler, 18-36 VDC, typ. 5 mA 1 x NAMUR, max. 5V, 0,04-3000Hz	assigned signal Ack. event Tare External event Tacho input
Binary outputs	4 x relay, 230 VAC, 60W max.	Running Belt load Q>Max Alarm Belt load Q<Min
Pulse output	Optocoupler, 18-36VDC, max. 50 mA/10Hz	Totalizing counter pulses
Analog output	4-20mA, 12 Bit, max. imp. 500Ω	Feedrate
Serial connections	Interface 1: RS 232 Interface 2: RS 232 Interface 3: RS 485,2/4-wire Ethernet	EasyServe - not used - Modbus fieldbus Modbus/TCP fieldbus
Optional	PROFIBUS DPV0, DeviceNet, Ethernet/IP	

Equipment supplied

Systems	Type	Material number
INTECONT Satus, Stainless steel housing IP65	VKG 20790	V040007.B01
INTECONT Satus with Profibus board	VKG 20792	V060127.B01
INTECONT Satus with DeviceNet board	VKG 20793	V060128.B01
INTECONT Satus with Ethernet/IP board	VKG 20795	V060129.B01
Options		
Profibus board	VPB 020	V040030.B01
DeviceNet board	VCB 020	V040031.B01
Ethernet/IP board	VET 022	V040035.B01
Spare parts		
Cover with keyboard		in preparation
Load cell plug (dongle)	VDO20700	V040013.B01
EasyServe		
Software and cable		in preparation
Software (CD)	VPC 20150	E144541.01
Cable for EasyServe, 9p/3p		V052410.B01